



Fig. 2

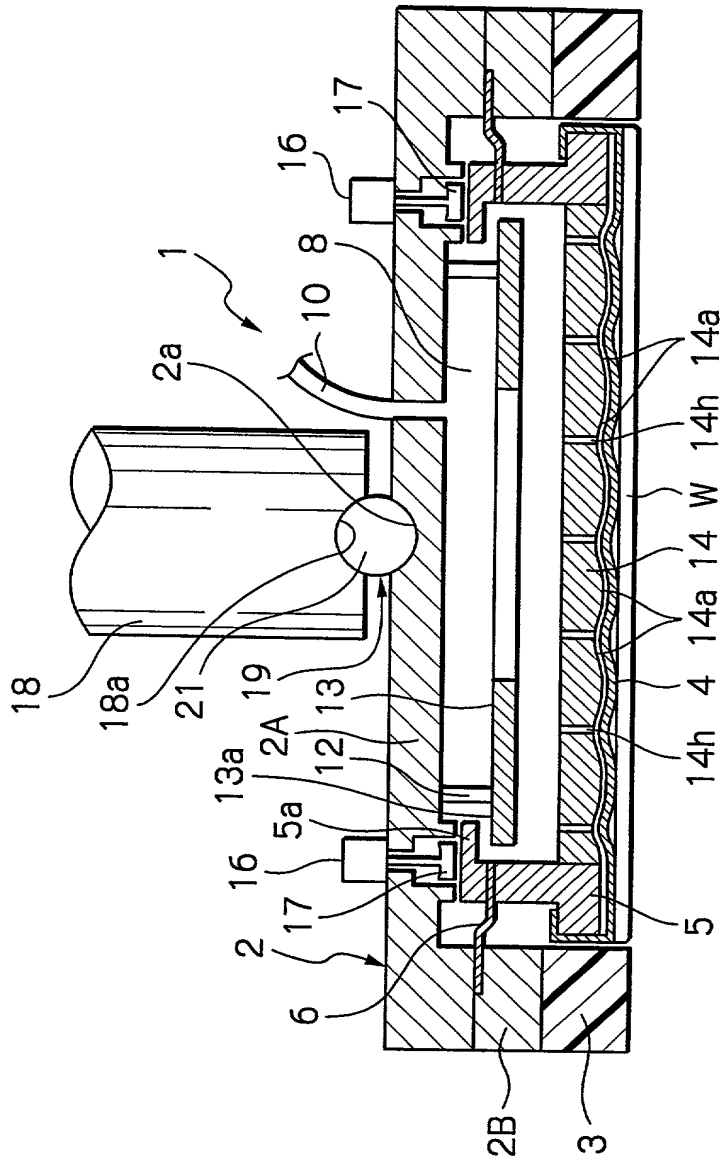




Fig. 4A

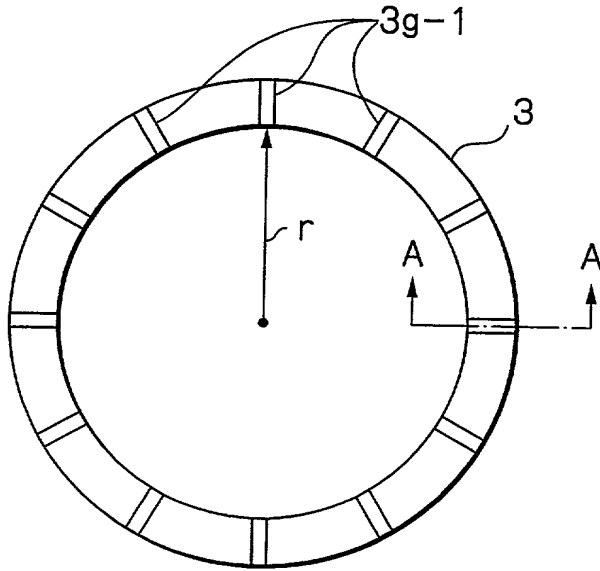


Fig. 4B

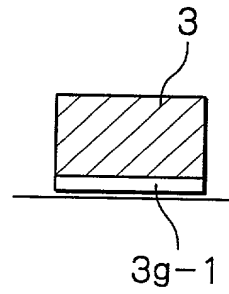


Fig. 5A

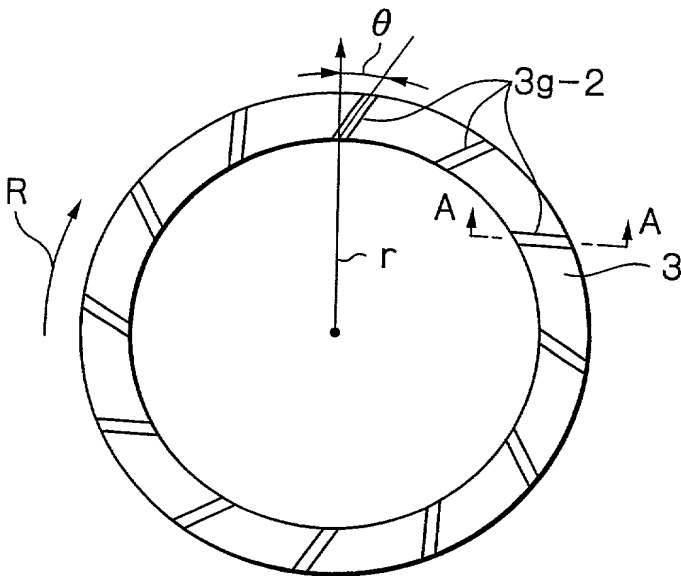
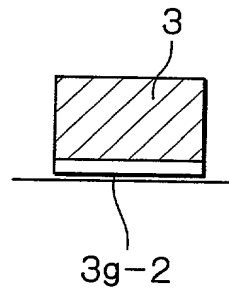


Fig. 5B



*Fig. 6A*

*Fig. 6B*

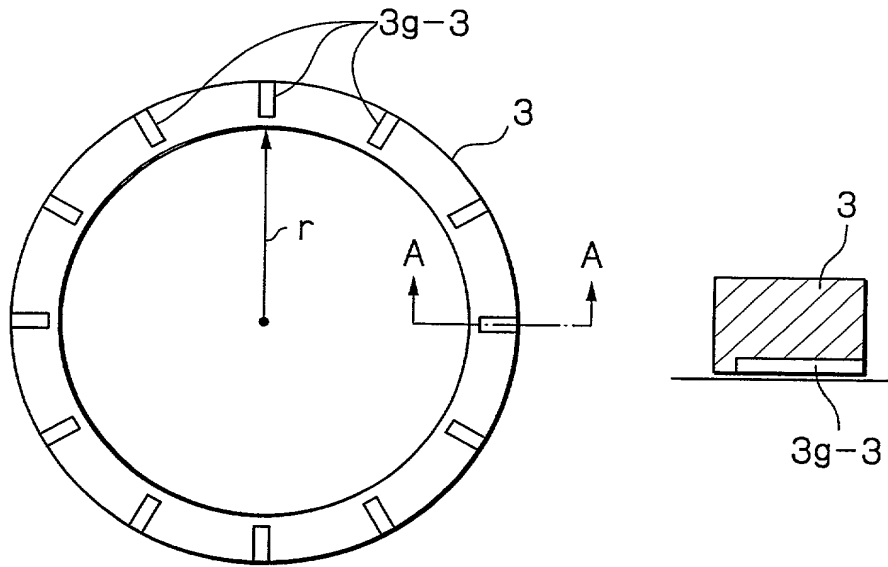




Fig. 8

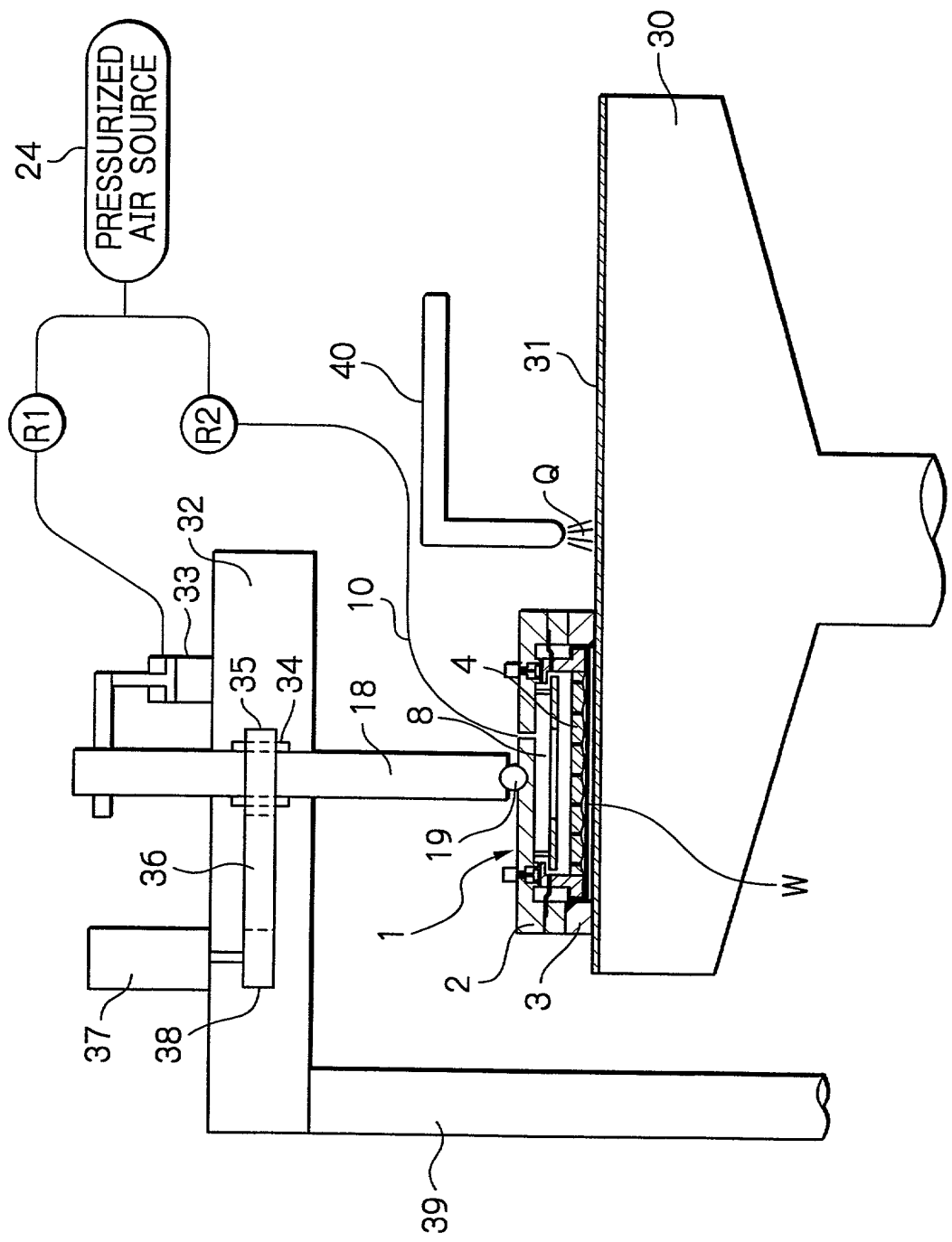


Fig. 9

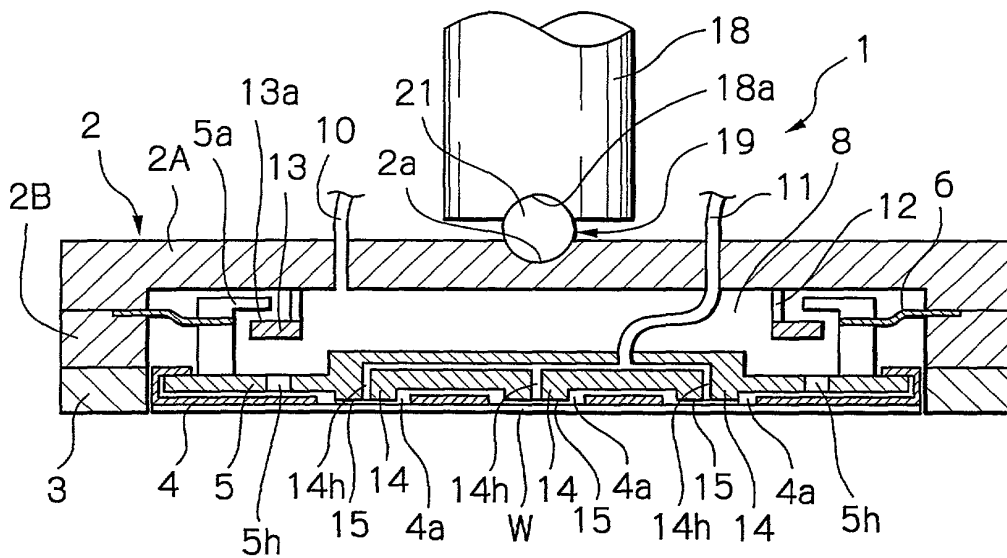




Fig. 10

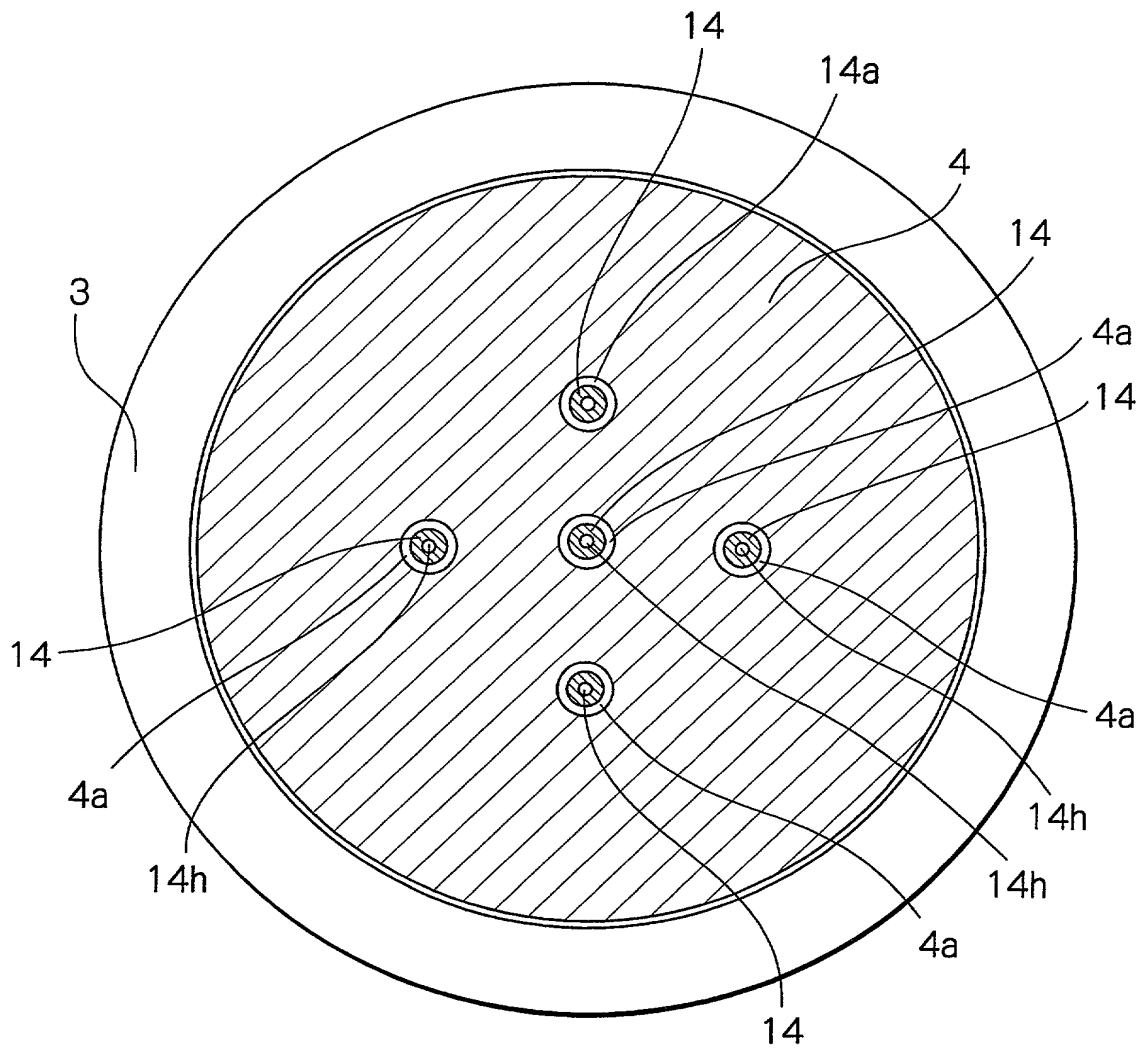
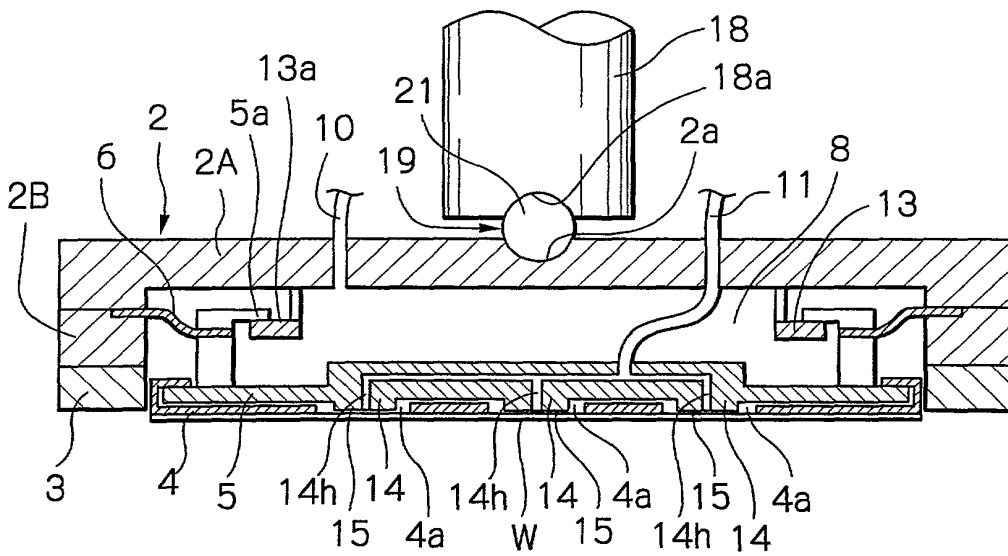
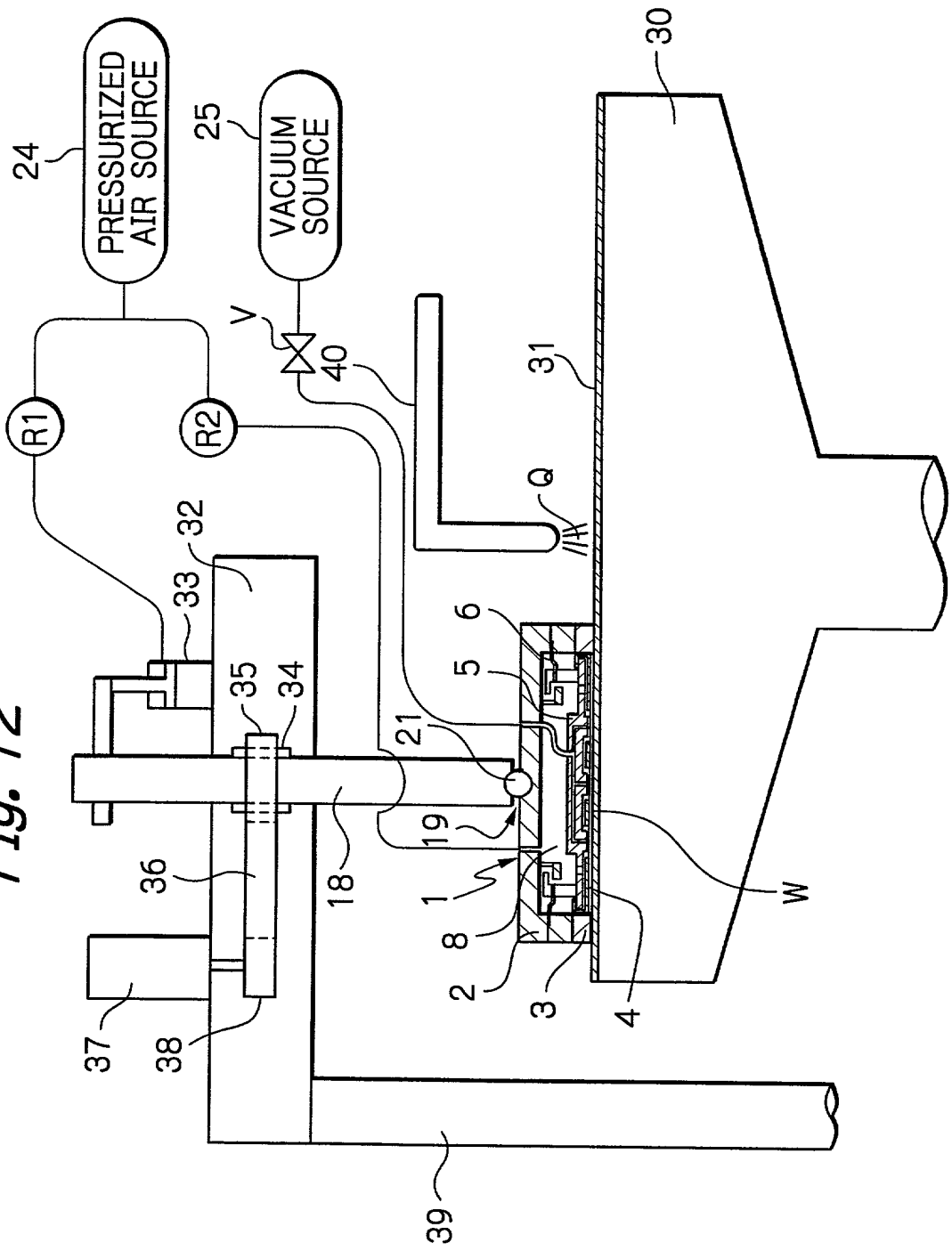


Fig. 11

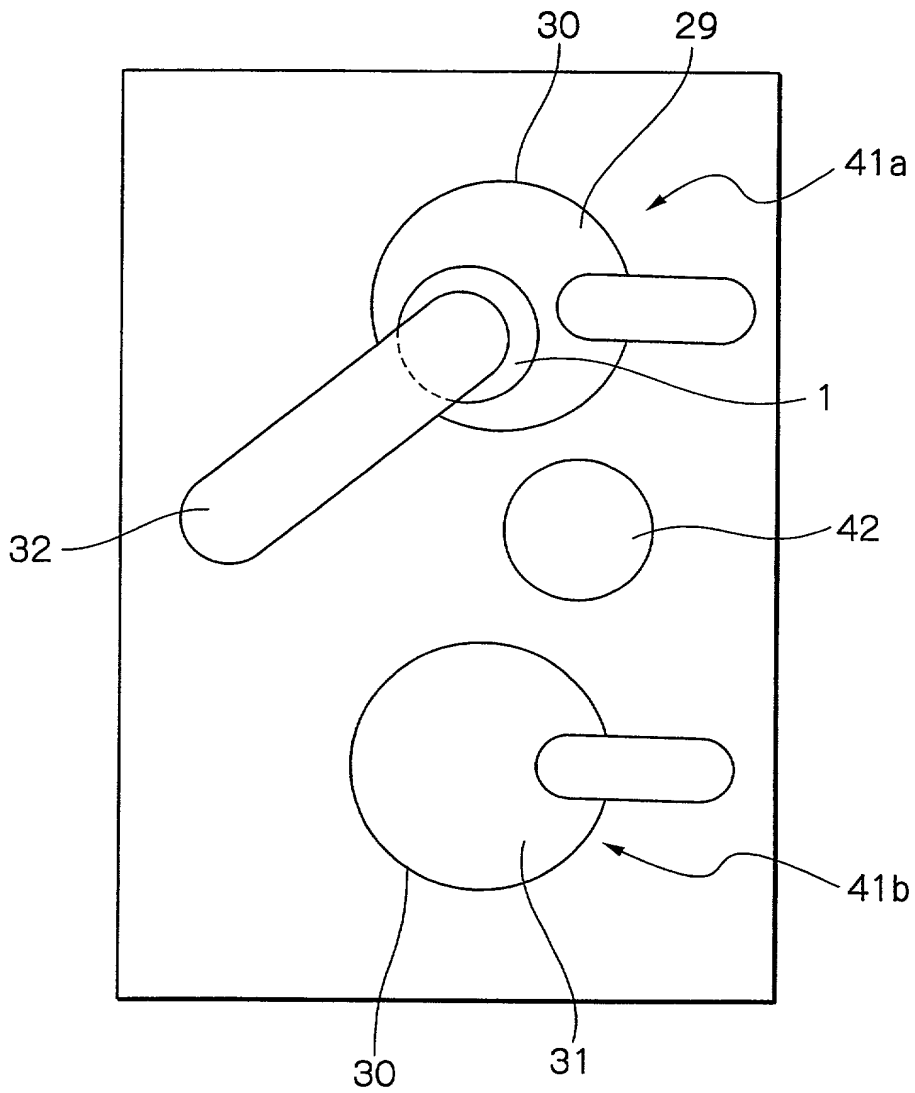


The fluid flow direction is indicated by arrows.

Fig. 12



*Fig. 13*



*Fig. 14*

